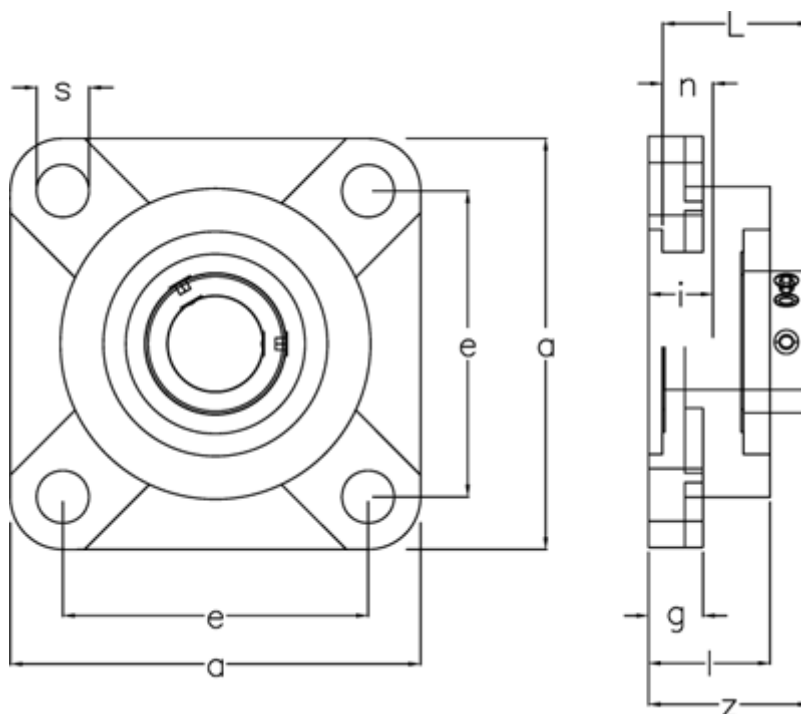


Article number: 54810052051

Description: 4 hole Flange Unit SSUCF205 for shaft $\text{\O}25\text{mm}$
Massive stainless steel, mat

Measures



a	= 95	L	= 34.1
Bearing	= SUC205	Nominal drive	= 14.3
Bolt size	= M10	s	= 12
e	= 70	Weight	= 0.91
g	= 13.0	z	= 35.7
Housing	= SF205		
i	= 16		
l	= 27.0		